

TP 250 PTO

All-round wood chipper for mounting on tractor

If you want large capacity, flexibility and a uniform chip quality from your wood chipper then TP 250 is the answer. TP 250 is a disc chipper with hydraulic feed. It is effective for cleaning up and chipping branches with a width of up to 250 mm in diameter. The large rotor disc with three knives combined with three anvils, a 90 degree cutting angle and two horizontal retract rollers ensure a very effective chipping of everything from thin branches to entire trees. Effect need from 60 to 140 hp.

Standard on TP 250

- Integrated hydraulics system
- Three knives
- Three anvils in Hardox 400
- Two hydraulically powered feed rollers which ensure a powerful feeding
- Powerful tension spring on moving rollers
- Revolving ejector spout
- Wipers to ensure against accumulation of material at feed rollers and rotor housing
- Hydraulic adjustment of the roller speed and thereby the chip size
- Changeable casing in rotor housing
- Rotor lock for securing the rotor disc when changing knives
- PTO shaft
- Operating bar start/stop/reversing of the feed rollers
- Danfoss Hydraulic engines
- Tip-up funnel



TP 100

TP 130

TP 160

TP 200

TP 250

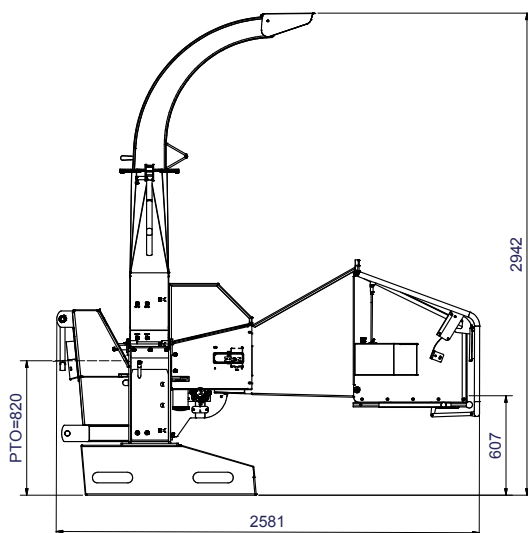
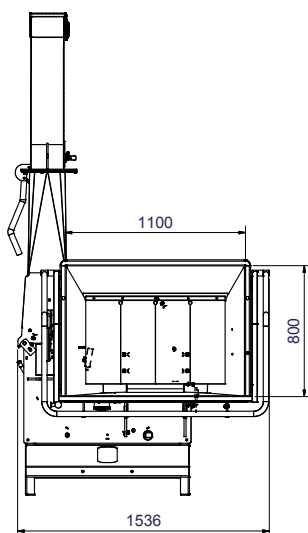
TP 230

TP 270

TP 280

TP 400





TECHNICAL DATA

Max wood diameter	250 mm
Max opening	H x W = 260 x 350 mm
Operation	Return/forward/stop of feed rollers through operating bar (yellow)
Chipper principle	Disc
In feed angle	90°
Feeding angle	Parallel to driving direction
In feed	2 hydraulic feed rollers, spring compressed of 2 springs 8 mm
Feed rollers	Horisontal
Rotordisc - diameter	960 mm, with changable end sections on ejector wings
Rotordisc - Weight in kg	272
Number of knives	3 pcs.
Chip lenght	0-13 mm (hydraulic ajustable)
Anvil/Counter steel	1 horisontal and 2 vertical
Power required	45-104 kW (60-140 hp)
PTO rpm	540 rpm or 1.000 rpm/min.
PTO shaft	Walterscheid 2400 series with freewheel, length = 560 mm
3-point linkage	Category 2
Chip capacity	10-25 m ³ /hour
Weight	1.065 kg

EXTRA EQUIPMENT

Stress control system	For protections of the engine of the tractor by monitoring the rpm on the rotor disc
Extended ejector spout	500 mm vertical • 1.500 mm horizontal • Extended ejector spout across the tractor 3.700 mm, height 2230 mm
Hitch	
Tip-up ejector spout	
Sliverbreakers	Type A or B - are used if extra requirements for chip quality is needed
Light bar	Light bar with complete set of rear lights
Tool kit	Includes tools for daily service and maintenance